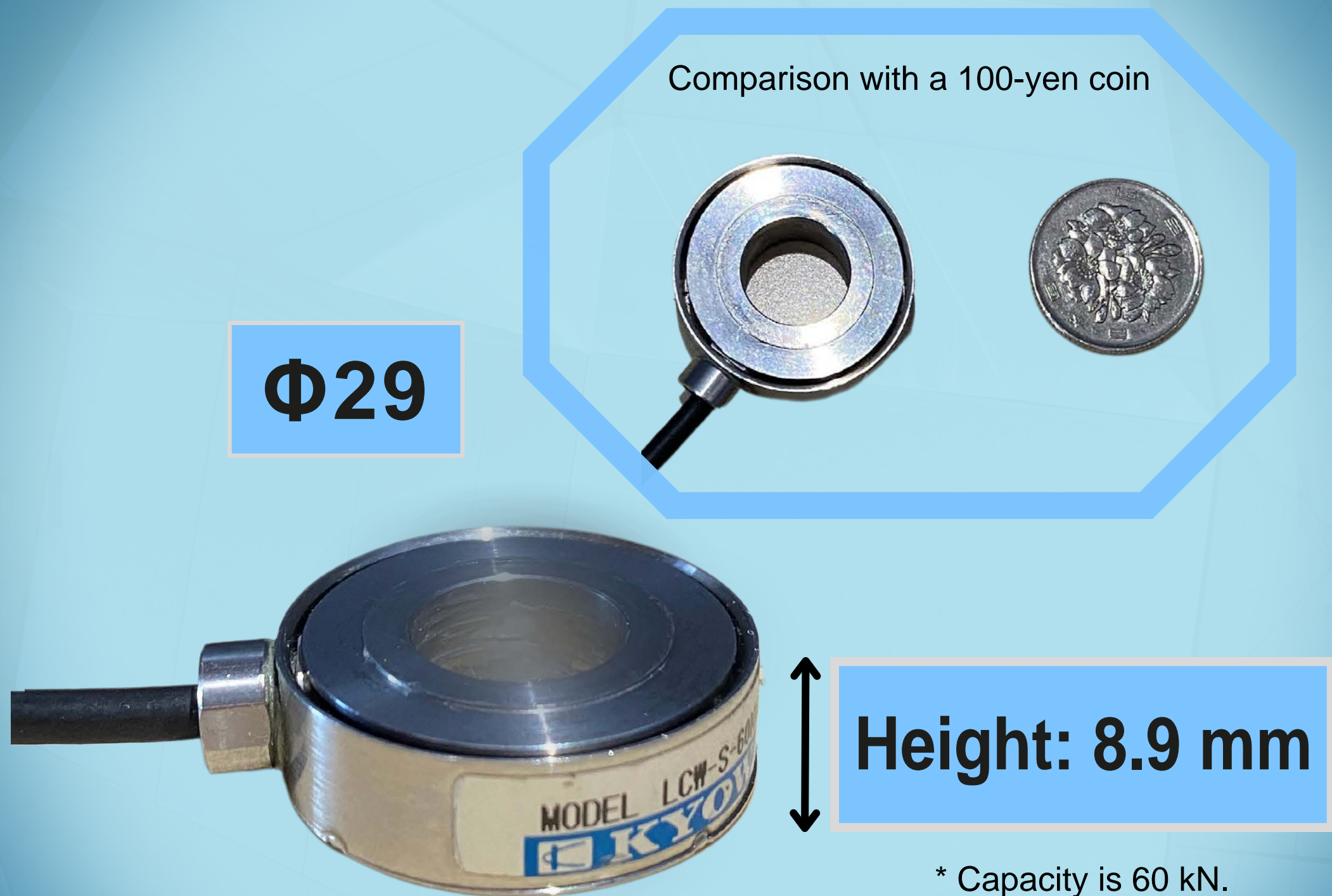


Space-saving center hole load cell

- LCW-S-SD22 Series -

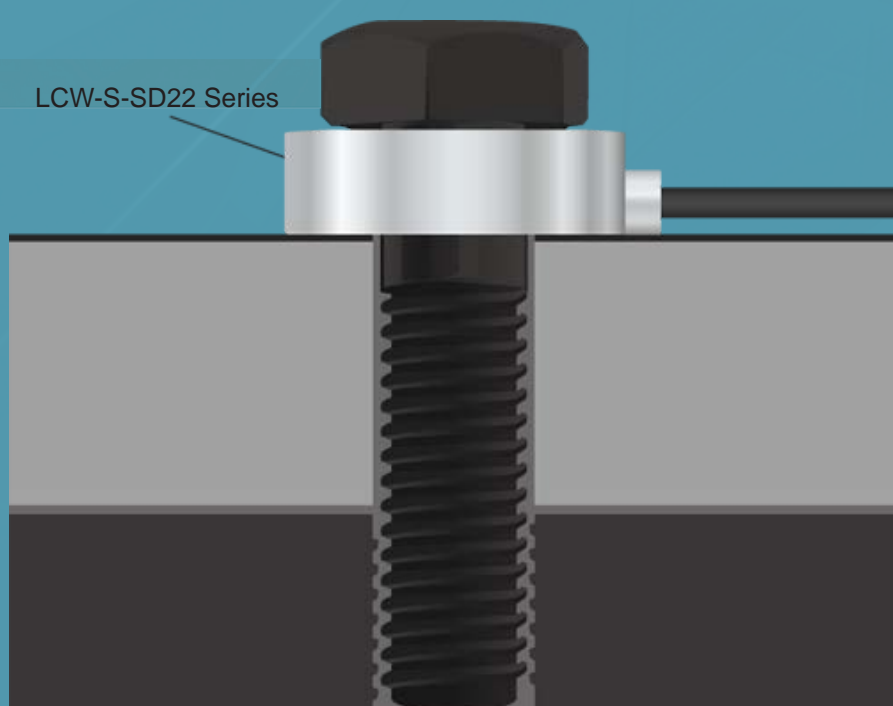


The capacity lineup starts from five types

60KN/120KN/180KN/250KN/400KN

Optimal for measuring bolt shaft force with its small and thin size and high capacity!

[Image of Use]



You can measure shaft force by inserting the device into the body of the bolt.

[Industries with Sales Results]

- Construction industry: Testing of seismic isolation structures, testing of wall installation reinforcement
 - Iron and steel industry: Testing of rupture test equipment
- They can also be used in other applications, such as testing in the aviation field.

Why the Developer Recommends It



- ✓ There is a diverse lineup to suit the dimensions and shaft force of different bolts
- ✓ Easily installed by simply inserting between the object to be tightened and the bolt
- ✓ Can measure the capacity and load, even in narrow locations

Also

- ✓ We accept orders for temperature ranges of -50 to 120°C
- ✓ We provide thin and high-capacity load cell combined with 3 or 4 devices
- ✓ We accept special orders for direct protrusion of the robot cable

- ⚙ Various sizes supported, from M12 to M30*¹
- ⚙ Measurement up to the maximum shaft force 2.4 t-bolts
- ⚙ Monitoring of the loosening of the shaft force is possible*²

*¹ We can produce bolts at sizes of M10 or smaller. Please contact us for more information.

*² We recommend that the rated capacity of the load be 50% or less so as to reduce clipping of the load cell.

For inquiries, please contact your nearest sales office

kyowaoverseas.hp@d1.kyowa-ei.co.jp

