

**Wide Range
of Customization**
Selectable current
value, delay time
and etc

**Trigger
Output**
Synchronizing
with cameras,
lights and etc

**Simple
Setting**
Setting without
software



**Safety
Function**
Detecting wrong setting
to avoid malfunction

Airbag Ignition Unit

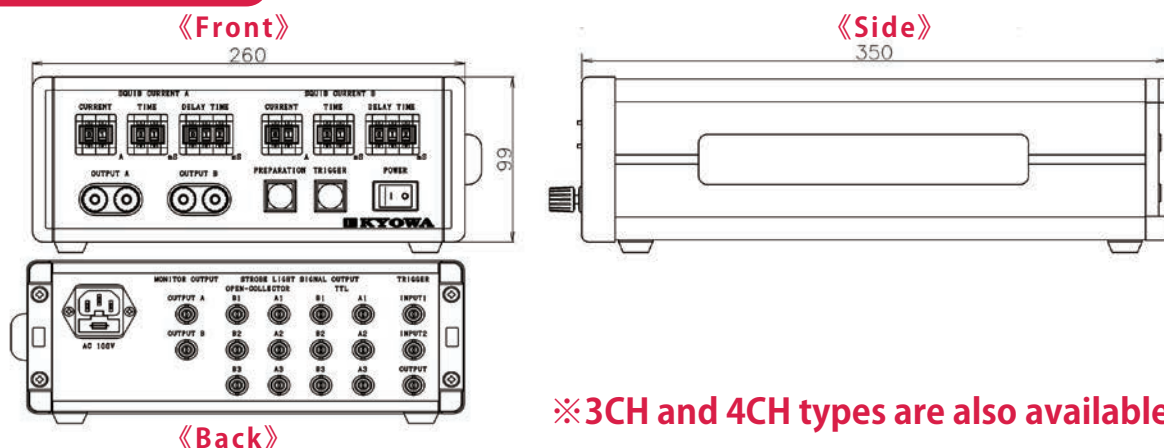
Squib current output unit for airbag ignition test and others

Product Overview

Airbag Ignition Unit outputs squib current to airbag inflator based on the detailed settings like current value, output time, delay time and so on.

Details of specifications can be designed by customer's requirement.

Dimensions *2CH



※3CH and 4CH types are also available

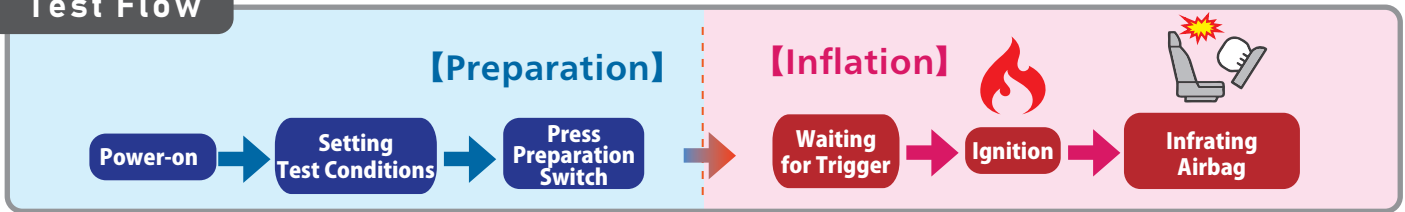
Move into the future with reliable measurements

KYOWA

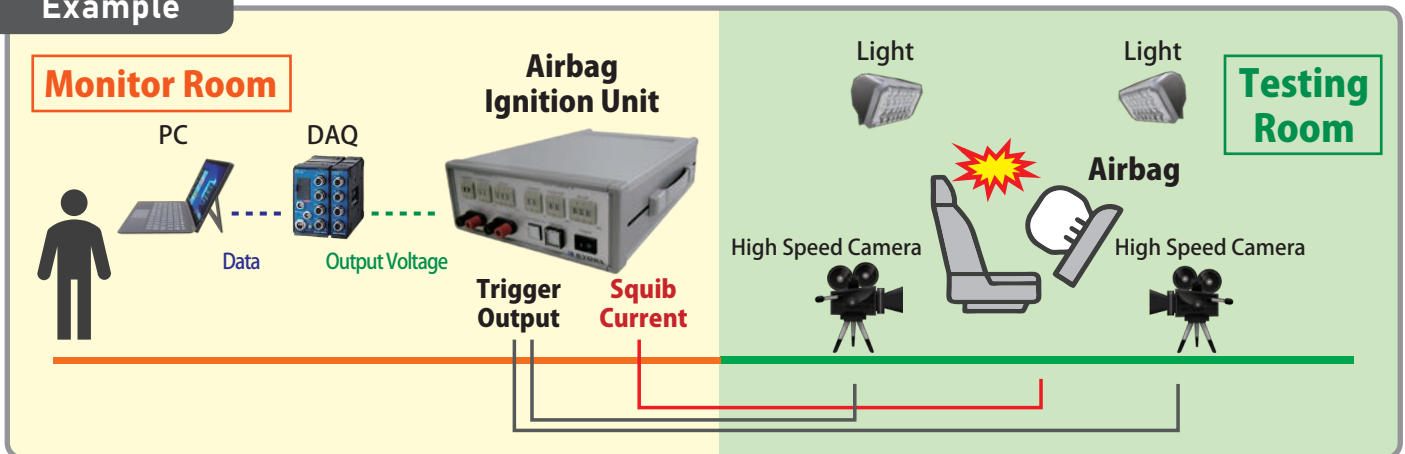


Outline of Airbag Testing

Test Flow



Example



Draft Specifications

Squib Current Output

| | |
|---------------|------------------|
| Channels | 2CH |
| Squib Current | Range : 0.1~4.0A |
| | Step : 0.01A |
| Output Time | Range : 2~20ms |
| | Step : 0.1ms |
| Delay Time | Range : 0~999ms |
| | Step : 1ms |

Trigger Function

| | |
|----------------|-----------------------------------|
| Trigger Input | Trigger Switch |
| | External Trigger |
| Trigger Output | TTL Signal (Positive or Negative) |
| | Open Collector |

Output Function

| | |
|----------------|---|
| Voltage Output | Voltage output proportional to the squib current *eg) 1A→1V |
|----------------|---|

* No impact resistance

* The details of specifications can be designed based on customer's requirement

KYOWA ELECTRONIC INSTRUMENTS CO., LTD.

Global Sales Department:
 3-5-1, Chofugaoka, Chofu, Tokyo 182-8520 Japan
 TEL: +81-42-489-7220 FAX: +81-42-488-1122
 E-mail: kyowaoverseas.hp@d1.kyowa-ei.co.jp
 Website: www.kyowa-ei.com



Safety Precautions

- Be sure to observe the safety precautions given in the instruction manual, in order to ensure correct and safe operation.
- Do not use in locations subject to significant water, dampness, steam, dust, or flammable gases. Doing so may lead to fire, electrical shock, or malfunction.
- Specifications and designs are subject to change without notice.
- Please contact us if using the detailed products for special applications.
- Detailed company and product names are the trademarks or registered trademarks of their respective owners.
- The warranty details can be found on the "Product Warranty" attached to the product and on the following website.
www.kyowa-ei.com/eng/company/quality/warranty.html
- Unauthorized use or reproduction of contents of this catalog are prohibited.